

USA office

Tailift Material Handling USA Inc.

A Toyota Industries Group Company

14710 John F Kennedy Blvd. Suite 100 Houston, TX 77032

Office: (281)-466-1000 Fax: (281)-864-3847

<http://www.tailift-usa.com> DOC S/N: DEB054 Edition : 03



tailift



TOYOTA INDUSTRIES GROUP



2000 Electric



Introducing Lithium



WAREHOUSE READY

Tailift is excited to announce the release of LITHIUM-ION battery powered electric forklifts. An innovative solution designed to increase efficiency, lower charging time, and improve productivity! These zero-emission forklifts have a lifting capacity of 3,500~7,000 lbs and are available in 3 and 4 wheel models. Built specifically to meet the needs of warehouses, distribution centers, and manufacturing facilities.

LI-ION
TECHNOLOGY

Efficiency

Safety

Convenience

Comfort





Lithium Battery Display



Long Operator Assist Grips

Hydraulic control



Console Storage Space

Rear LED Combination Lights



Suspension Seat with Armrest



Light Switch for Front and Rear LED lights

LCD Instrument Panel



Lithium Battery Display



The Lithium display features imperative battery information, such as the remaining battery life and fault codes. While charging the display will tell you how much time is remaining until the battery is full.

LCD Instrument Panel

Large and easy to read, this instrument panel is in the optimal position for legibility. The display has multiple indicators to keep the operator informed on the forklift's functions. Included on led acid and Lithium models.

Showcasing the latest advancements from Tailift, the user experience is better than ever.

The NEW Tailift Z-2000 Series Electric was crafted with comfort in mind. Ease starts from the beginning. Grab the long operator assist grip and sit down in the suspension seat. Adjust the arm rest and put your spare things in the console box. Adjust the steering wheel column to your comfort and start the forklift. Look up to view the Lithium display, down to see the LCD instrument panel. Click on the LED rear light button if needed while reversing, the headlight button if needed in drive.

	7L	Z2000
Diameter	 $\phi 13''$	 $\phi 11''$
Turning Force	2.2 lbs	1.1 lbs



Small Steering Wheel

// Safety

Electronic Protection

All electronic features are protected against water and dust (Rated IP54).

Integral Heavy-Duty Chassis

Durability is ensured with our no-bolt design. Our chassis were built with safety in mind, these integral heavy-duty chassis give the driver more protection from falling loads.

Rear Assist Grip with Horn Button

Rear grip handles are equipped with a horn button for easy access while traveling in reverse. NOW on all-new Z Series forklifts!

Clear View Mast

The low-profile front cowl and sloped dashboard help to provide an unobstructed view for the operator.



// Efficiency

Small Turning Radius

Warehouse ready, our electric forklifts are compact and optimized for narrow aisle environments.



Speed Control

Speed options and torque control are beneficial to the battery and forklift operator.

High-Power Hydraulic Pump

The hydraulic pump motor can adjust speed of output and helps to power the forklift.

// Easy Maintenance

Rear Service Panel

Quickly removable for wide-open and easily accessible service view.

Centralized Fuse Box

Compact fuse box for trouble-free inspections.

Durable Brake System

Increased durability of vertical braking system mechanical linkage.



Tailift Electric Lithium-Ion Solutions



Quick Charge

Drastically reduced charging time in comparison to lead-acid. Simply lift the hood and plug in the charging cord. No battery removal necessary! Quickly charge during breaks and shift changes to optimize productivity.

Low Maintenance

Say goodbye to watering, equalizing, draining, corrosion, and lead acid maintenance. Lithium batteries are clean and compact, no service necessary! The overhead display will conveniently keep operators informed on the battery's status.

Increased Productivity

Less time spent charging makes it possible for more production time. As the battery power drops, the forklift will continue to work without reducing speed or strength until it is empty.

Lower Running Cost

Service life is significantly longer than lead acid, batteries need to be replaced less frequently. They are also more energy efficient, saving you time and money!



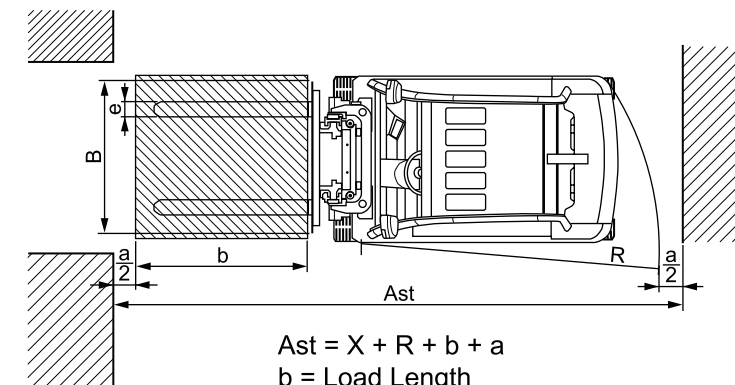
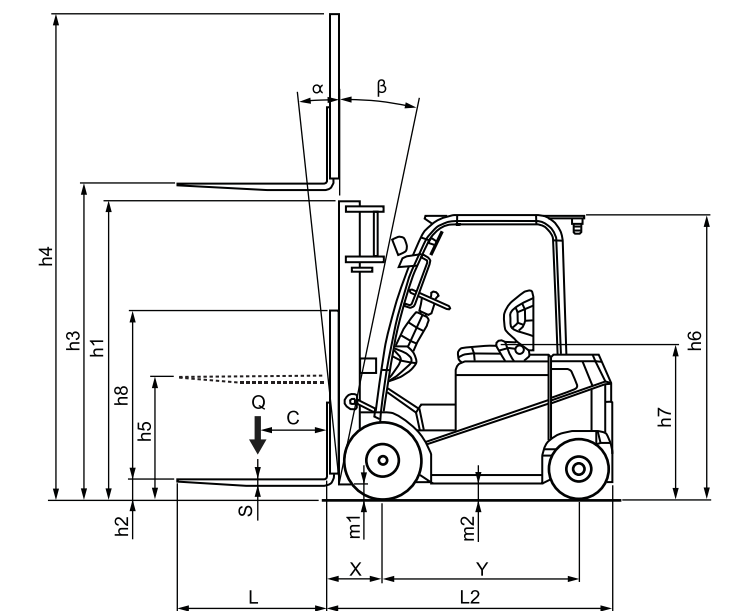
Z-2000 Electric 3600~7000



AVAILABLE IN LITHIUM

ZFBT18
ZFBT20
ZFB25P
FB25C

CHARACTERISTICS	Tailift												
	Z-2000 Electric												
	Model	ZFBT18	ZFBT20	ZFB18	ZFB20	ZFB25	ZFB30	ZFB35	FB25C				
4	Load Capacity	Q	Without Sideshift	lbs	3600	4000	3600	4000	5000	6000	7000	5000	
			With Sideshift		3190	3630	3190	3680	4630	5570	6480	4620	
5	Load Center	C	Distance	in	24	24	24	24	24	24	24	24	
6	System				AC	AC	AC	AC	AC	AC	AC	AC	
7	Power Type				Electric	Electric	Electric	Electric	Electric	Electric	Electric	Electric	
8	Operation Type				Sit	Sit	Sit	Sit	Sit	Sit	Sit	Sit	
PERFORMANCE	9	Lift at 3-Stage Mast	h3	Lift (Max. Fork Height)	in	189	189	189	189	189	189	189	
	10		h2	Free Lift (Duplex 118")	in	0	0	0	0	0	0	0	
	11		h5	Free Lift (Triplex 189")	in	35.1	33.1	39.4	39.6	39.6	39.6	39.6	36.5
	12	Mast Tilting Angle		Forward (α) / Back (β)	deg	6° / 6°	6° / 8°	6° / 8°	6° / 8°	6° / 8°	6° / 8°	6° / 8°	6° / 6°
	13	Overall Dimensions	L2	Length To Face Of Forks	in	79.7	80.3	84.6	94.1	92.6	97.3	97.5	86
	14		B	Total Width	in	42.9	42.9	42.5	47.2	47.2	49.6	49.6	41.9
	15		h6	Overhead Guard Height	in	82.3	82.3	84.4	84.5	84.5	84.5	84.5	87.4
	16		h1	Mast Height Lowered	in	88.1	88.1	89.7	87.3	87.3	87.3	87.3	86.7
	17		h4	Mast height Extended (w/o Bracket)	in	213.9	213.7	213.9	217.1	217.1	217	216.8	210.2
	18		h4	Mast height Extended	in	237.8	237.8	237.8	237.8	237.8	237.8	237.8	237.8
	19		h7	Seat Height	in	39.2	39.2	44.5	45.1	45.1	45.1	45.1	45.1
	20	Load Bracket	h8	Height Of Load Bracket	in	48	48	48	48	48	48	48	48
21	Fork Size		Thickness (S) x Width (E) x Length (L)	in	1.4x3.9x42.1	1.6x4.8x42.1	1.4x3.9x42.1	1.6x4.8x42.1	1.6x4.8x42.1	1.8x4.8x42.1	2x4.8x42.1	1.6x4.8x42.1	
22	Turning Radius	R		in	62.6	62.6	72.4	79.9	79.9	84.3	84.3	75.2	
23	Load Distance	X	From Center Of Front Axle	in	14.4	14.6	19.8	22	22	22.4	22.6	20.4	
24	Aisle Width	Ast	For Load 800x1200 / 1000x1200	in	116.3 / 124.2	116.5 / 124.4	131.6 / 139.5	141.3 / 149.2	141.3 / 149.2	146.1 / 153.9	146.2 / 154.1	135 / 142.9	
25	Ground Clearance	m1	At Lowest Point	in	4.7	4.7	4.7	4.7	4.7	4.7	4.7	4.3	
26		m2	Center Of Wheelbase	in	4.3	4.3	4.5	4.5	4.5	4.5	4.5	4.3	
TIRES	27	Tire Type		Pneumatic Air or Solid		Solid			Pneumatic				
	28	Wheels (X:driven)		Number (Front / Rear)		2x/2	2x/2	2x/2	2x/2	2x/2	2x/2	2x/2	
	29	Tire Size		Front		18x7-8	18x7-8	21x8x9-14	23x9-10-16	23x9-10-16	23x9-10-20	23x9-10-20	21x7x15
	30			Rear		15x4 1/2-8	15x4 1/2-8	5-8-8	18x7-8	18x7-8	18x7-8	18x7-8	161/4x5x111/4
	31	Wheelbase	Y		in	56.3	56.3	53.1	58.8	58.5	61.7	61.7	50.4
32	Tread		Center Of Tires Front / Rear	in	36.2 / 7.5	36.2 / 7.5	35.8 / 35.2	38.4 / 35.4	38.4 / 39	40.7 / 39	40.7 / 39	34.6 / 36.2	
DRIVE	33	Battery (Lead-Acid)		Battery Voltage	V	48	48	48	36 / 48	36 / 48	80	80	36 / 48
	34			Max. Capacity	Ah/5hr	580	580	600	735	735	600	600	785 / 725
	35			Battery Box Size (LxWxH)	in	38x24x24.4			44.3x24x30		1126x610x760		
	36		Battery	lbs	1672	1672	1628	2420	2420	3256	3256	3256	
	37	Motor		Drive Motor	kW	4.8x2	4.8x2	7	7	7	12	12	12
	38			Pump Motor	kW	12	12	12	12	12	16	16	16



Ast = X + R + b + a
b = Load Length
a = Clearance (200mm)

OPTION	1											
		Battery (Lithium-ion)	Battery Voltage	V	48	48	NA	NA	48	NA	NA	48
		Max. Capacity	Ah/5hr	420	420	NA	NA	420	NA	NA	420	

* This is only for your reference and not subject to notice in advance if there is any modification.

* Service weight may vary with part upgrades and product improvements.